

WiLD-SB18

WIRELESS PRO AUDIO

WiLD Series RX 8" Subwoofer



PRODUCT OVERVIEW

WiLD-SB18 is a compact self-powered 8" subwoofer with wireless audio reception under the control of the transmitter WiLD-TX. WiLD is the ultimate long-distance wireless audio solution. Designed for retail spaces, museums, and other markets, WiLD offers a cost-effective, robust, and user-friendly installation that blends seamlessly into any environment. Experience superior sound quality with minimal visual impact. Upgrade to WiLD today and transform your audio experience!

KEY FEATURES

- Subwoofer self-powered WiLD receiver, including 8" woofer and bass reflex system.
- Universal, internal power supply (100-240VAC 50-60 Hz).
- 1x WiLD wireless audio signal received, from the transmitter it is paired to.
- 1x Line In Analogue stereo unbalanced Signal. 3 pin Euro block.
- Rear panel controls for:
 - WiLD pair button that allows pairing the receivers to the transmitter quickly and easily.
 - LED indicator.
 - Source (input) selection.
 - Low Pass Filter selection (40, 60, 80, 100, 120, 150, 200, 250 Hz, Full Range).
 - StandBy Selection (20min, 1, 4 Hours, ON Hz –)
 - General volume control.
- Recommended maximum range from a WiLD-TX transmitter to any WiLD paired receiver: 150 metres, with direct line of sight.

APPLICATIONS

- Retail
- Hospitality
- Education
- Corporate
- Sport & Wellness

ACCESSORIES AND COMPATIBLE DEVICES

- [WiLD-TX](#)



- [WiLD-14](#)



TECHNICAL SPECIFICATIONS

WiLD-SB18

WiS (RF Wireless Digital Audio)	
Frequency band	1880 - 1930MHz,EU DECT, US DECT
Coverage range	Up to 150m from a TX to any paired RX, direct line of sight
Audio channels	1 stereo audio ch received from the WiLD-TX network
Audio transmission	16 bit uncompressed, 48kHz SR
Digital Audio Sample size	16bit
Digital Audio Sampling rate	48kHz
Digital Audio Frequency Response	10Hz – 15kHz (-1dB)
Digital Audio converters	ADC Resolution: 24 bits Dynamic range ADC: 96 dB
Latency	From TX Analog Audio IN to RX Speaker <26ms
Pairing time	Up to 60s
System	
Effective Freq. Range ¹	57Hz-693Hz (-10dB)
Sensitivity ²	92 dB (1W/1m)
Maximum SPL ³	112 dB continuous / 118 dB peak
Transducers	
Ways	1-way full range
Driver	8" woofer
Nominal impedance	4Ω
Powered	
Power	100W RMS / 150W peak
Audio inputs	Wireless Audio: Digital, Mono Line in: ST unbalanced 3-pin Euroblock
Audio outputs	Internal Loudspeaker: Analog, Mono, Self powered
THD + Noise	<1% @1Hz Full power
Signal Noise Ratio	>110dB @100W RMS
Input sensitivity	-8dBV / 10kΩ (wireless Audio) -15 dBV / 10kΩ (line in)
Electrical	
Power supply	Universal, internal power supply
AC mains requirement	100-240VAC @ 50-60Hz
AC mains connector	standard 2-pin AC plug
Power consumption	150W
Power consumption standby	< 2W
Ventilation	Convection cooled
Monitoring and Control	
Volume control	Led display, +/- volume buttons
Other controls	PAIR: via WiLD button LP Filter: via volume buttons StandBy: via volume buttons
LED Indicators	Status
Auto standby time	20min, 1H, 4H, On
Auto standby threshold	>50 dB

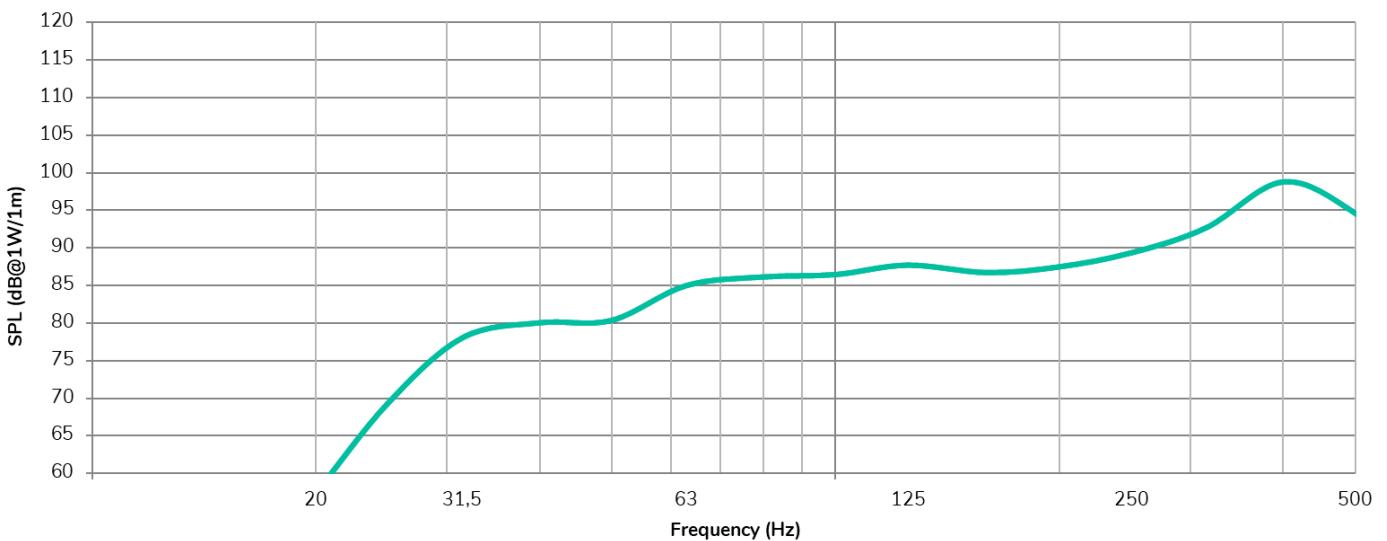
Physical	
Installation options	Floor, Wall-mount brackets
Enclosure material	MDF
Mounting system	Metal brackets
Operating temperature	Min: -10°C ; 14°F Max: 40°C ; 104°F
Operating humidity	<85% HR
Storage temperature	Min: -10°C ; 14°F Max: 50°C ; 122°F
Storage humidity	<90% HR
Included accessories	1x EU AC voltage cord (3x1-1,5m) , 1 UK AC voltage cord (3x1-1,5m), 4x wall screws, 4x wall plugs, 2x Wall-mount brackets, 12x screws.
Finished colour	Black (RAL 9005)
Dimensions (WxHxD)	450 x 193 x 360 mm / 17.72 x 7.60 x 14.17 in.
Weight	9.1 kg / 20.06 lb
Pieces per box	1 unit
Shipping dimensions (WxHxD)	550 x 382 x 460 mm / 21.65 x 15.04 x 18.11 in.
Shipping weight	11.5 kg / 25.35 lb

¹10dB below the sound pressure level at specified sensitivity.

² Measured on-axis, far field and referenced to 1 meter by inverse square law. Average from 100 Hz to 1 kHz.

³ Calculated from sensitivity and power handling specifications, exclusive of power compression.

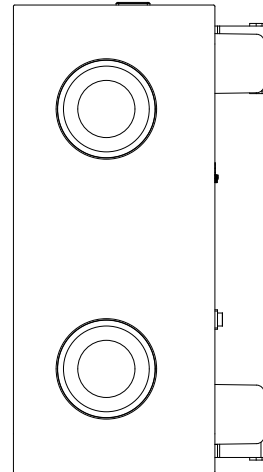
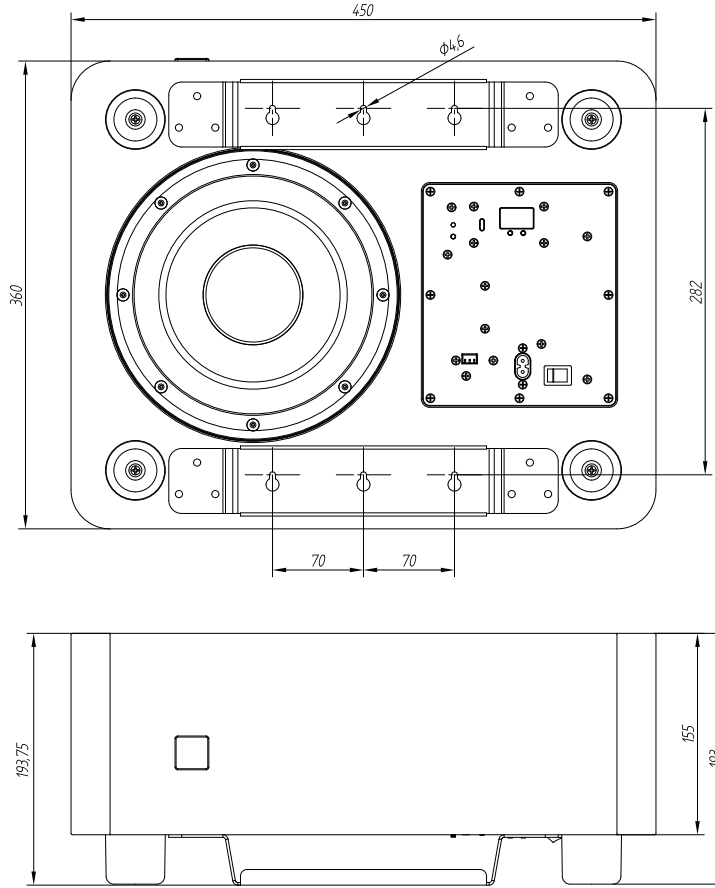
FREQUENCY RESPONSE ON-AXIS



MECHANICAL DIAGRAM



Ecler WILD-SBI8 Mechanical Diagram



All the measurements are in mm

6I-1172-0100

www.ecler.com

A&E SPECIFICATIONS

The loudspeaker shall be a one-way full-range self-powered subwoofer type consisting of an 8" woofer and bass reflex system, suitable for wireless audio reception under the control of the WiLD-TX transmitter. The power handling shall be 100 W RMS at a nominal impedance of 4 Ω , with a peak power handling of 150 W. The audio input shall be digital mono via wireless transmission or analogue stereo unbalanced via 3-pin Euroblock connector. The output shall be analogue mono through the internal self-powered loudspeaker.

The effective frequency range (± 10 dB) shall be from 57 Hz to 693 Hz. The sensitivity shall be 92 dB considering 1 W input signal at 1 meter distance, while the maximum continuous sound pressure level shall be 112 dB and 118 dB peak.

The enclosure shall be made of MDF and finished in black (RAL9005). Mounting of the speaker shall be possible using metal wall-mount brackets or floor installation. Connection shall be made via standard 2-pin AC plug.

The loudspeaker shall include rear panel controls for pairing with the transmitter, source selection, low-pass filter selection (40 to 250 Hz and Full Range), standby mode selection (20 min, 1 h, 4 h, ON), and general volume control via LED display and +/- buttons. It shall include a status LED indicator and be convection cooled.

It shall be powered via a universal internal power supply (100–240 VAC, 50–60 Hz) with a maximum power consumption of 150 W and standby consumption below 2 W.

The loudspeaker shall have dimensions of 450 x 193 x 360 mm (WxHxD) and the weight shall not exceed 9.1 kg. It shall be supplied with 1 EU and 1 UK AC voltage cord, 4 wall screws, 4 wall plugs, 2 wall-mount brackets, and 12 screws. Shipping dimensions shall be 550 x 382 x 460 mm and shipping weight shall not exceed 11.5 kg.

The loudspeaker shall be the ECLER WiLD-SB18.