

# WiLD-14

## WIRELESS PRO AUDIO

### WiLD Series RX Rail-mount Loudspeaker



### PRODUCT OVERVIEW

**WiLD-14** is a self-powered 4" lamp style loudspeaker with wireless audio reception under the control of the transmitter WiLD-TX, featuring an installation system which is compatible with ceiling light rails. WiLD is the ultimate long-distance wireless audio solution. Designed for retail spaces, museums, and other markets, WiLD offers a cost-effective, robust, and user-friendly installation that blends seamlessly into any environment. Experience superior sound quality with minimal visual impact. Upgrade to WiLD today and transform your audio experience!

### KEY FEATURES

- Lamp style self-powered WiLD receiver, including 4" woofer and 0.75" tweeter loudspeakers.
- Lighting rail mount compatible (Compatible light rails: 4 wire 3 circuit track system such as Global Trac Pro or compatibles).
- Universal internal power supply, taking mains AC from the lighting rail bracket (100-240VAC 50-60 Hz).
- 1x WiLD wireless audio signal received, from the transmitter it is paired to.
- Rear panel WiLD PAIR button that allows pairing the receivers to the transmitter quickly and easily.
- LED indicator on the rear panel.
- Recommended maximum range from a WiLD-TX transmitter to any WiLD paired receiver: 150 metres, with direct line of sight.
- Available in white (RAL 9003) and black (RAL 9005).

### APPLICATIONS

- Retail
- Hospitality
- Education
- Corporate
- Sport & Wellness

### ACCESSORIES AND COMPATIBLE DEVICES

- [WiLD-TX](#)



- [TUBE SMA](#): Optional Surface mount accessory



TECHNICAL SPECIFICATIONS

WiLD-14

WiS (RF Wireless Digital Audio)	
Frequency band	1880 - 1930MHz,EU DECT, US DECT
Coverage range	Up to 150m from a TX to any paired RX, direct line of sight
Audio channels	1 stereo audio ch received from the WiLD-TX network
Audio transmission	16 bit uncompressed, 48kHz SR
Digital Audio Sample size	16bit
Digital Audio Sampling rate	48kHz
Digital Audio Frequency Response	10Hz – 15kHz (-1dB)
Digital Audio converters	ADC Resolution: 24 bits Dynamic range ADC: 96 dB
Latency	From TX Analog Audio IN to RX Speaker <26ms
Pairing time	Up to 60s
System	
Effective Freq. Range <sup>1</sup>	63Hz-20kHz (-10dB)
Coverage angle <sup>2</sup>	320°
Sensitivity <sup>3</sup>	86 dB (1W/1m)
Maximum SPL <sup>4</sup>	102 dB continuous / 108 dB peak
Transducers	
Ways	2 ways
Low frequency driver	4" woofer
High frequency driver	0.75" tweeter
Nominal impedance	4Ω
Powered	
Power	40 W RMS / 160 W Peak
Audio inputs	Wireless Audio: Digital, Mono
Audio outputs	Internal Loudspeaker: Analogue, Mono, Self powered
THD + Noise	<1% @1kHz Full power
Signal Noise Ratio	>90.5dB @30W RMS
Input sensitivity	0dBV / 10kΩ
Electrical	
Power supply	Universal, internal power supply
AC mains requirement	100-240VAC @ 50-60Hz
AC mains connector	From lighting rail bracket
Power consumption	50W
Power consumption standby	<2W
Monitoring and Control	
Other controls	PAIR / UNPAIR: via Panel button
LED Indicators	Status
Communication interfaces	USB-C Service & firmware updates
Physical	
Connection type	Ceiling rail AC connection
Installation options	Ceiling light rails, or surface using TUBE SMA
Enclosure material	ABS
Grille material	Metal
Mounting system	Lighting rail mount compatible
Pan and tilt wall-mount	Swivel (pan and tilt)

Rail fixing system	4 wire 3 circuit track system compatible
Compatible rail systems	Global Trac Pro or compatibles
Operating temperature	Min: -10°C ; 14°F Max: 40°C ; 104°F
Operating humidity	<85% HR
Storage temperature	Min: -10°C ; 14°F Max: 50°C ; 122°F
Storage humidity	<90% HR
Included accessories	Lighting rail mount
Optional accessories	Surface mount accessory (TUBE SMA)
Finished colour	White (RAL 9003) or black (RAL 9005)
Dimensions (ØxD)	128.6 x 205.3 mm / 5.06 x 8.08 in.
Weight	1.5 kg / 3.3 lb
Pieces per box	1 unit
Shipping dimensions (WxHxD)	385 x 178 x 165 mm / 15.16 x 7.01 x 6.50 in.
Shipping weight	2.2 kg / 4.85 lb

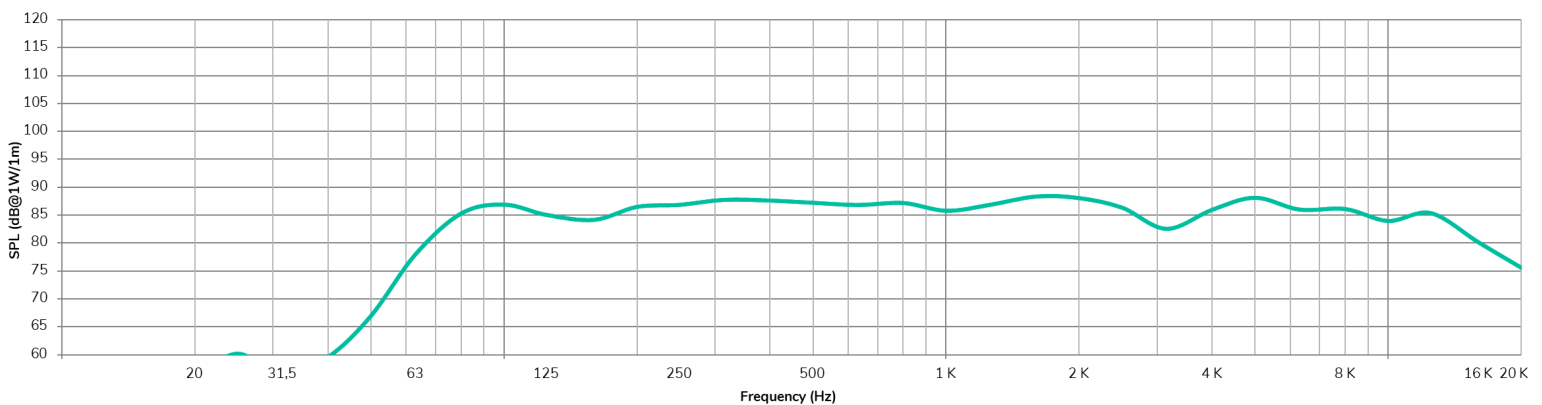
<sup>1</sup>10dB below the sound pressure level at specified sensitivity

<sup>2</sup>6dB below the sound pressure level than that at the direction of maximum level. Max. angle between 1 kHz and 4 kHz.

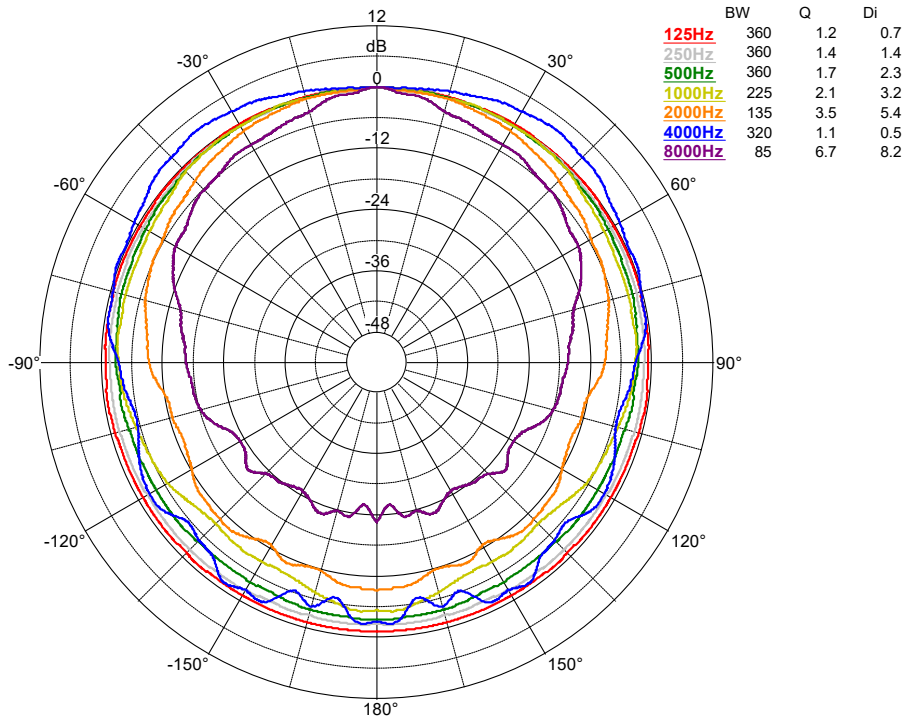
<sup>3</sup> Measured on-axis, far field and referenced to 1 meter by inverse square law. Average from 100 Hz to 10 kHz.

<sup>4</sup> Calculated from sensitivity and power handling specifications, exclusive of power compression

### FREQUENCY RESPONSE ON-AXIS



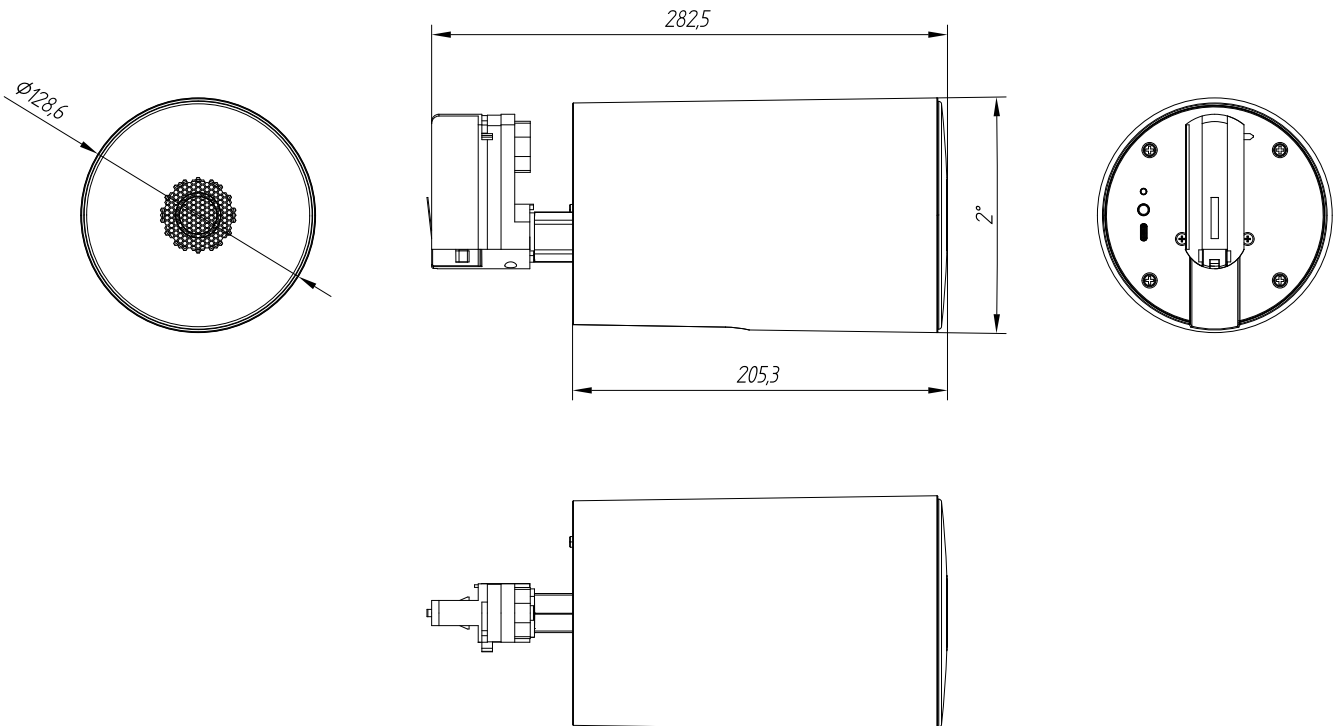
POLAR DIAGRAM



MECHANICAL DIAGRAM



Ecler WLD-14 Mechanical Diagram



All the measurements are in mm

## A&E SPECIFICATIONS

The loudspeaker shall be a two-way self-powered rail-mount type consisting of a 4" woofer and a 0.75" tweeter, suitable for wireless audio reception under the control of the WiLD-TX transmitter. The power handling shall be 40 W RMS at a nominal impedance of 4  $\Omega$ , with a peak power handling of 160 W. The audio input shall be digital mono via wireless transmission, and the output shall be analogue mono through the internal self-powered loudspeaker.

The effective frequency range ( $\pm 10$  dB) shall be from 63 Hz to 20 kHz. The sensitivity shall be 86 dB considering 1 W input signal at 1 meter distance, while the maximum continuous sound pressure level shall be 102 dB and 108 dB peak. The nominal coverage angle shall be 320° conical pattern at -6 dB (average 1 kHz to 4 kHz).

The enclosure shall be made of ABS and the grille shall be made of metal. It shall come available in both white (RAL9003) and black (RAL9005) colours. Mounting of the speaker shall be possible using lighting rail systems compatible with 4 wire 3 circuit track systems such as Global Trac Pro, or surface mounted using the optional TUBE SMA accessory. Connection shall be made via ceiling rail AC connection.

The loudspeaker shall include a rear panel PAIR button for pairing with the transmitter, a status LED indicator, and a USB-C port for service and firmware updates. It shall be powered via a universal internal power supply (100–240 VAC, 50–60 Hz) with a maximum power consumption of 50 W and standby consumption below 2 W.

The loudspeaker shall have a diameter of 128.6 mm and a depth of 205.3 mm. The weight shall not exceed 1.5 kg. It shall be supplied with a lighting rail mount and optionally with a surface mount accessory (TUBE SMA). Shipping dimensions shall be 385 x 178 x 165 mm and shipping weight shall not exceed 2.2 kg.

The loudspeaker shall be the ECLER WiLD-14.